

# PRODUCT SPECIFICATIONS SHEET

Model: Aspen

Document Information: INFINF3525/Rev A/June 2016

Class of Use	B
Weight Capacity	300 lbs. (136 kg/21 stone 6 lbs.)
Maximum Speed <sup>1</sup>	Up to 6.2 mph (10 km/h) Up to 4 mph (6.44 km/h) in United Kingdom
Ground Clearance <sup>2</sup>	1.77 in. (45 mm) at anti-tip bracket 3.58 in. (91 mm) at lowest point of frame
Turning Radius <sup>2</sup>	25.25 in. (641.5 mm)
Overall Size <sup>2, 6</sup>	Length: 42.05 in. (1070 mm) with front rigging 33.41 in. (850 mm) without front rigging Width: 22.79 in. (580 mm)
Drive Wheels	14 in. (355.6 mm), pneumatic
Caster Wheels	9 in. (228.6 mm), pneumatic
Anti-tip Wheels	3 in. (76.2 mm)
Suspension	Independent rear suspension
Range <sup>1, 4</sup>	Up to 15.7 miles (25.2 km)
Component Weights <sup>5</sup>	Complete Assembly (without batteries): 285.8 lbs. (129.48 kg) Batteries: NF-22: 38 lbs. (17.21 kg) each
Drivetrain	Two motor, rear-wheel drive
Brakes	"Intelligent Braking" electronic regenerative, disc park brake
Batteries <sup>3</sup>	Two 12 volt, deep-cycle NF-22
Battery Charger	8 amp, off-board
Freewheel Operational Force	Less than 60 N
Drive Control Operational Force	Less than 5 N
Maximum Rated Slope	6° (10.5%)
Maximum Obstacle Climbing Ability (Ascending and Descending)	2.36 in. (60 mm)
Measured Sound Level (A-weighted)	Less than 65 dB

<sup>1</sup> Varies with base model, user weight, terrain type, battery amp hour rating (Ah), battery charge, battery condition, motors, controller type, tire type, and tire condition. This specification is subject to a variance of +10%, -5%.

<sup>2</sup> Due to manufacturing tolerances and continued product improvement, this specification can be subject to a variance of (+ or -) 3%.

<sup>3</sup> AGM or Gel-Cell type required. See "Batteries and Charging."

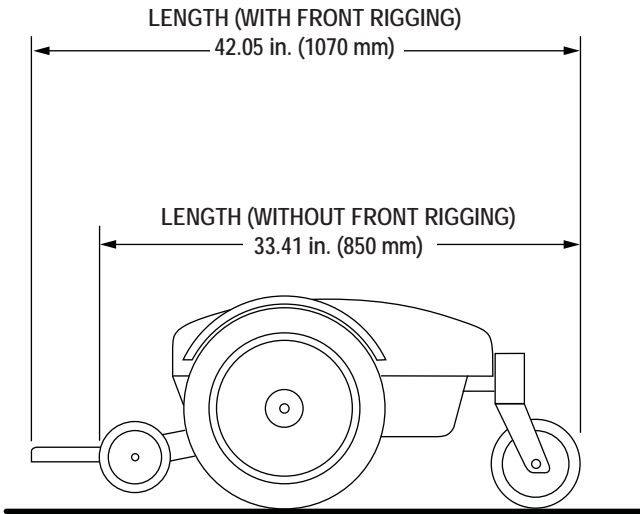
<sup>4</sup> Tested in accordance with ANSI/RESNA, WC Vol. 2, Section 4 & ISO 7176-4 standards. Results derived from theoretical calculations based on battery specifications and drive system performance. Test conducted at maximum weight capacity.

<sup>5</sup> Battery weight may vary based on manufacturer.

<sup>6</sup> Dimensions listed are for power base only. Overall measurements will vary based on seating and accessory selections.

**NOTE: This product conforms to all applicable ANSI/RESNA, ISO 7176 Series, AS/NZS 3695.2, and EN12184 standards. All specifications subject to change without notice.**





TURNING RADIUS

